

HVO-3528DES



3528 PLCC4

Products Series

参

High luminous efficiency, consistency, stability and reliability, it is mainly used in automobile applications.

- PPA 文
- 50% I_v要 120
- 606nm
- 透 AEC-Q102 & IEC 60810 流

Features

- Package Colorless clear silicone in white PPA cup
- Viewing angle at 50% I_v: 120
- Color: Orange (606nm)
- Qualifications: Passed reliability test per AEC-Q102 & IEC 60810 requirement

Applications

- 可
- Signaling
- Interior and exterior lighting for automotive

Ordering Information

可 Type				参 Luminous Intensity lv @ If=50mA	可 Ordering Code
HVO-3528DES	- XXXX	- XX	- XXXX	1.40 - 4.50 cd	XXXXXX
	Brightness	Color	Forward Voltage		

- HVO-3528DES-ABCB-XX-XXXX

4
AB BA BB CA CB
- HVO-3528DES-XXXX-24-XXXX

4
2 3 4
- HVO-3528DES-XXXX-XX-3A4B

4
3A 3B 4A 4B

Note

■ Brightness Grouping

Only one brightness group will be packed in one reel. Please refer to page #4 for details.
E.g.: HVO-3528DES-ABCB-XX-XXXX, means only one bin of AB, BA, BB, CA or CB is in one reel.

■ Color Groups

Only one color group will be packed in one reel. Please refer to page #4 for details.
E.g.: HVO-3528DES-XXXX-24-XXXX, means only one bin of 2, 3 or 4 is in one reel.

■ Forward Voltage Groups

Only one forward voltage group will be packed in one reel. Please refer to page #4 for details.
E.g.: HVO-3528DES-XXXX-XX-3A4B, means only one bin of 3A, 3B, 4A or 4B is in one reel.

Brightness Grouping ($T_s = 4_f = 50 \text{ mA}$)

Grouping	参 Luminous Intensity I_v min.	参 Luminous Intensity I_v max.	透 Luminous Flux Φ_v typ.
----------	---------------------------------------	---------------------------------------	-------------------------------------

Information on Label

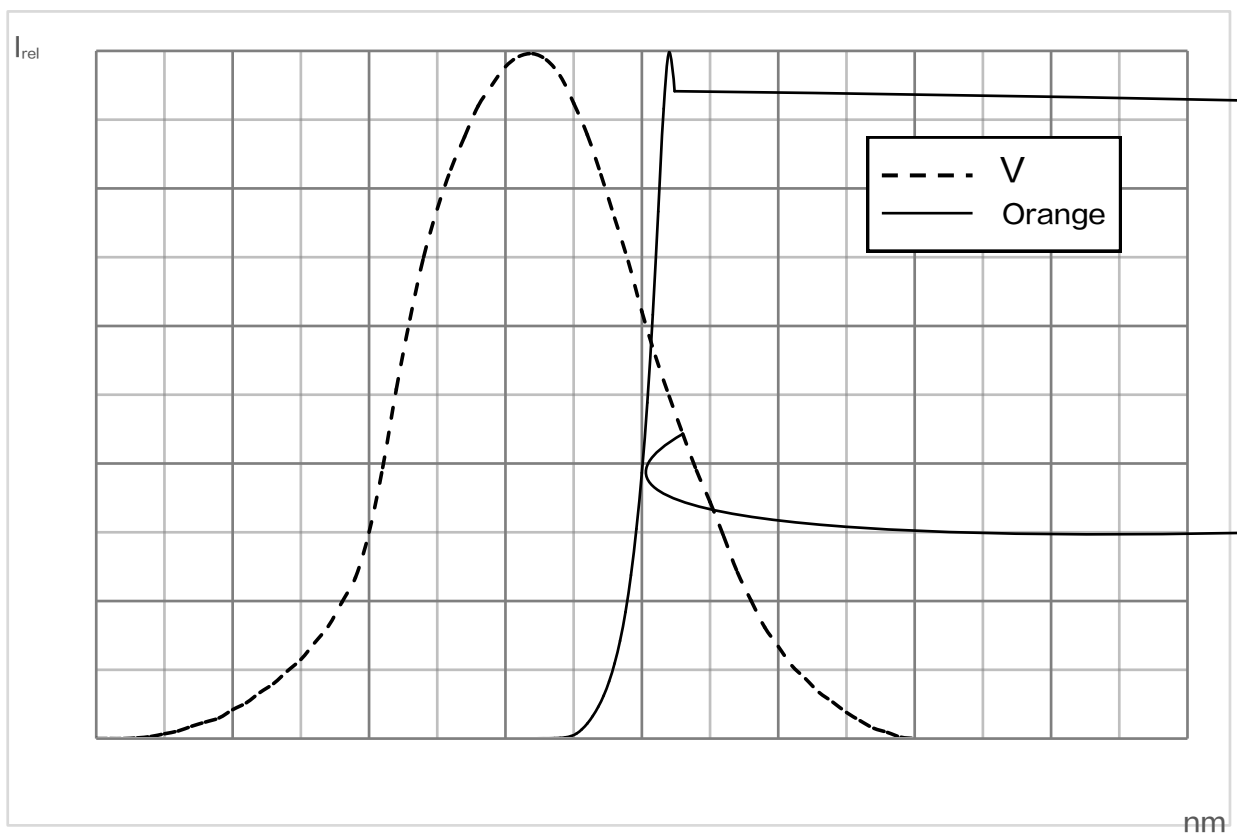
E.g. BA-2-3A

Brightness	Color	Forward Voltage
BA	2	3A

参寸 - V() = 要见

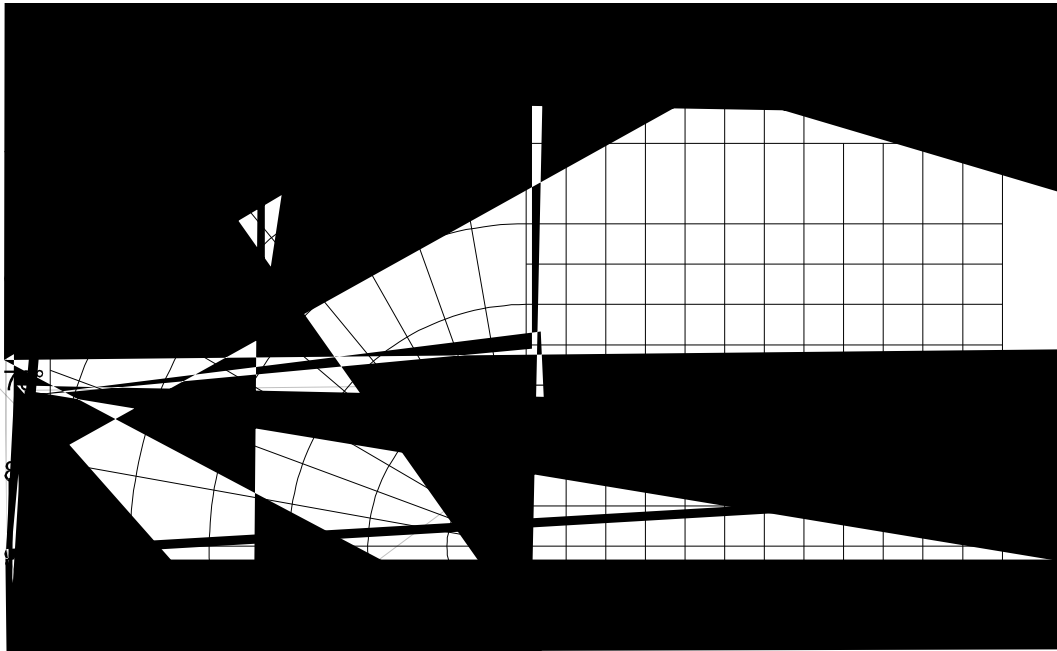
Relative Spectral Emission - V() = Standard Eye Response Curve

$I_{rel} = f()$; T_s . $4_f = 50 \text{ mA}$



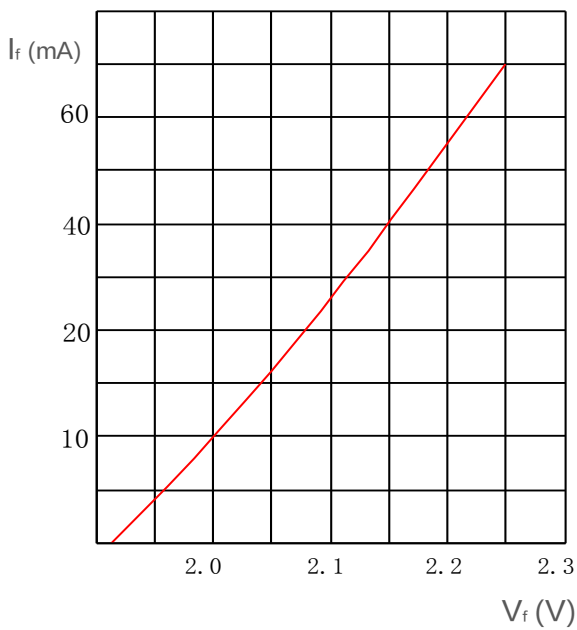
☞ Radiation Characteristics

$I_{rel} = f (T_s = 25$



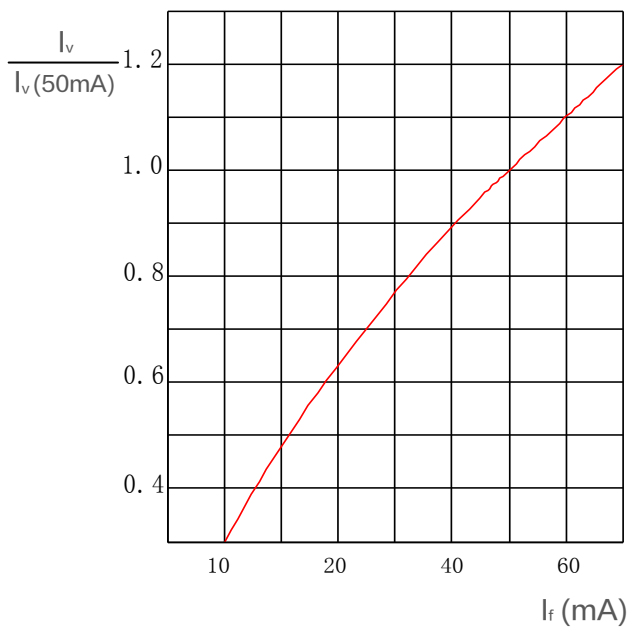
Forward Current

$I_f = f (V_f); T_a$



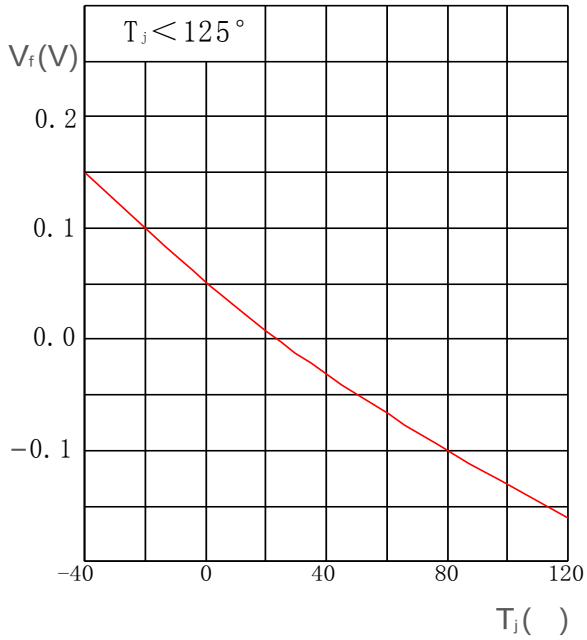
Relative Luminous Intensity

$I_v / I_v(50 \text{ mA}) = f (I_f); T_a$



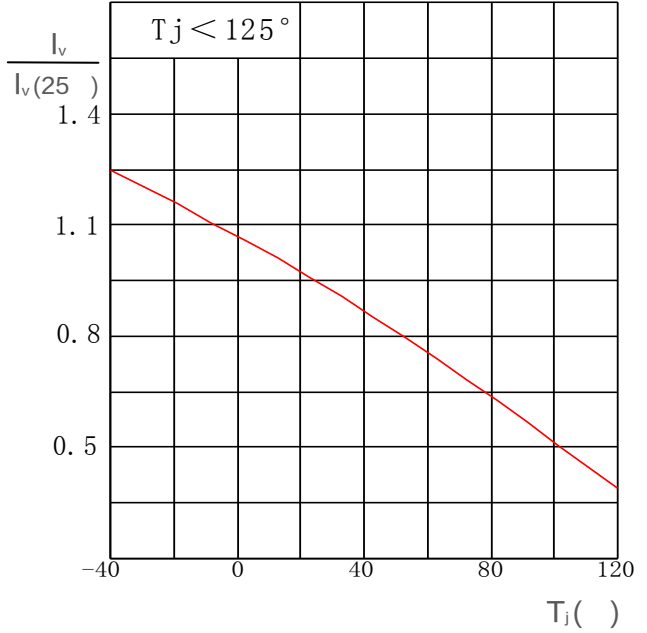
Relative Forward Voltage

$V_f = V_f - V_f(25^\circ\text{C})$; $I_f = 50\text{ mA}$



Relative Luminous Intensity

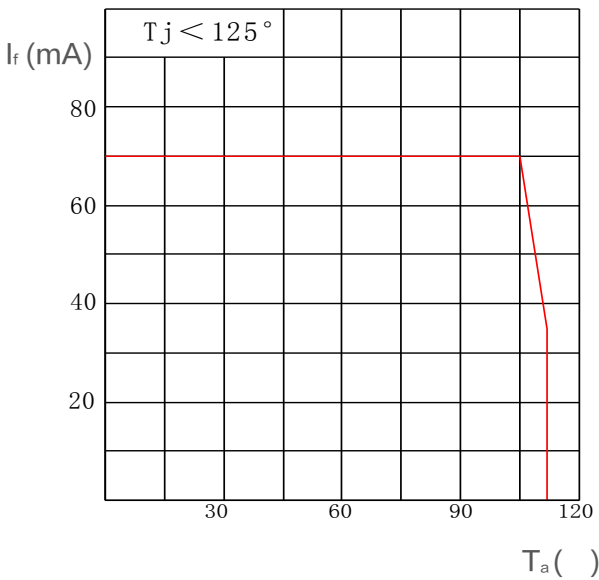
$I_v/I_v(25^\circ\text{C})$; $I_f = 50\text{ mA}$



Solder Point Temperature

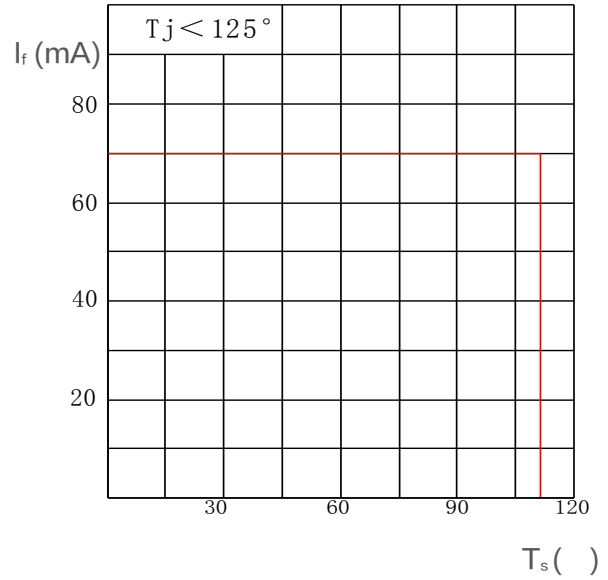
Ambient Temperature vs. Forward Current

$I_f = f(T_a)$

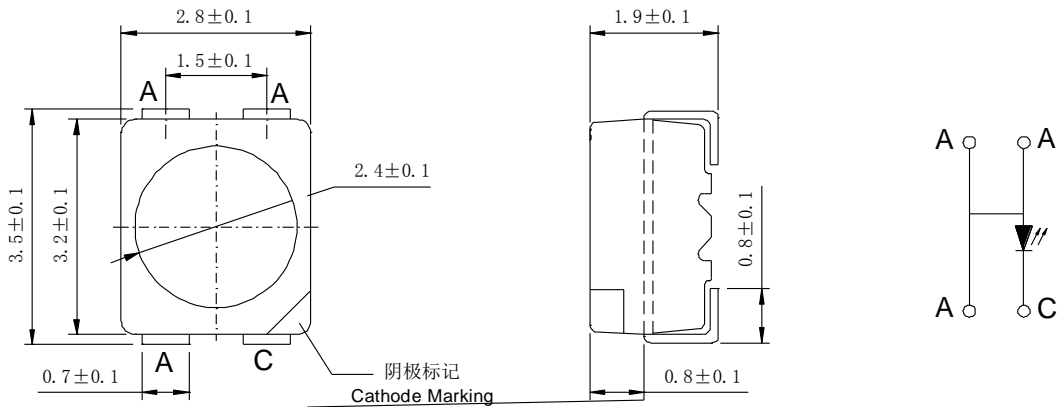


vs. Forward Current

$I_f = f(T_s)$



Package Outline

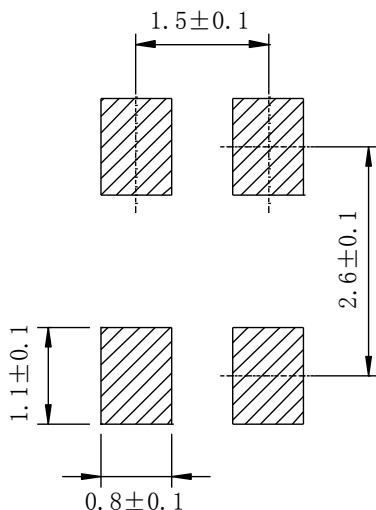


- 30mg
- Class 3B
- 流 : 1) H₂S 流 利 2利 . i i f , 336 ! IEC 60068-2-43)
- 2) 流 . . 利
- ! IEC 60068-2-60 4: 10ppb H₂S, 200ppb SO₂, 200ppb NO₂, 10ppb Cl₂)

NOTE

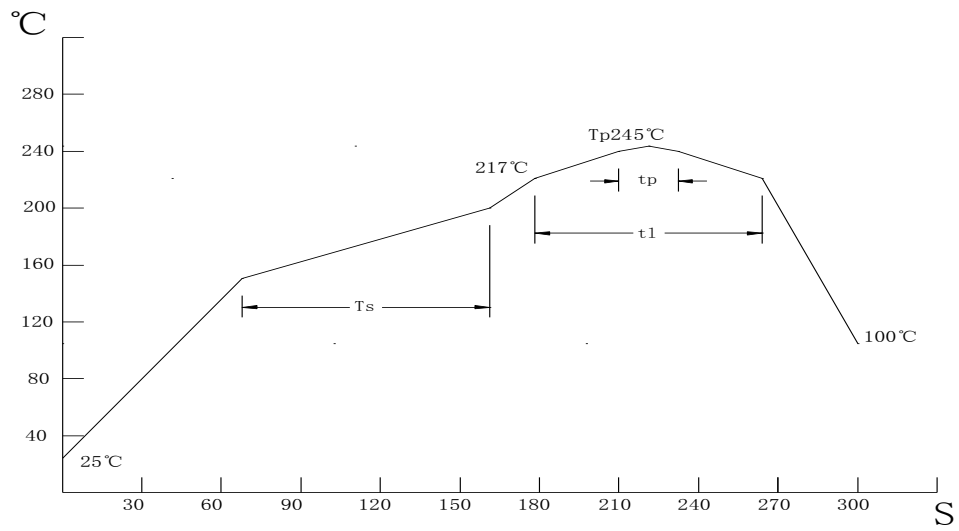
- Approximate Weight: 30mg
- Mark: Cathode
- Corrosion test: Class 3B
- Test conditions: 1) H₂S test 利 2利 , 15ppm, 336hours (Standards IEC 60068-2-43)
- 2) Flowing f b l ml m . . 利 1
- (Standards IEC 60068-2-60 test method 4: 10ppb H₂S, 200ppb SO₂, 200ppb NO₂, 10ppb Cl₂)

Recommended Solder Pad



- 法
- NOTE
- Package not suitable for ultrasonic cleaning

Reflow Soldering Profile

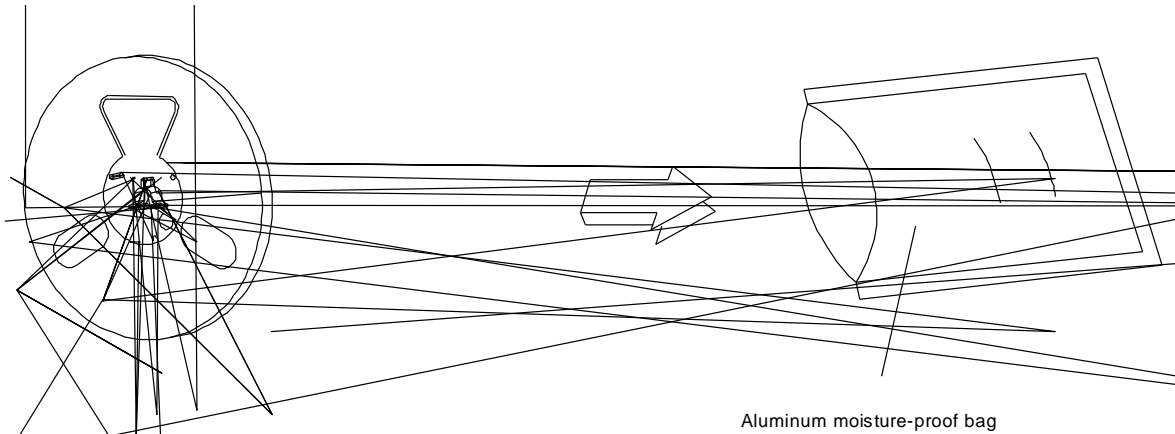


Profile Feature	Symbol	Pb-Free (SnAgCu) Assembly	Unit
	可	min. rec.	

当 Barcode-Product-Label (BPL)



权文 Dry Packing Process and Materials

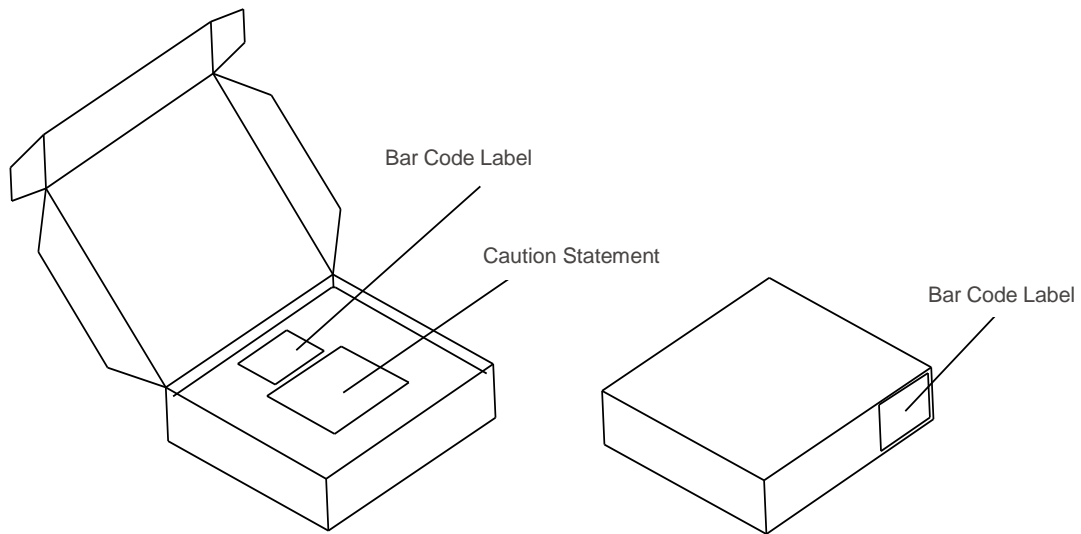


JEDEC

NOTE

Moisture-sensitive product is packed in a dry bag containing desiccant and HIC (humidity indicator card). Regarding dry pack you may find further information in the internet or JEDEC.

权文 Transportation Packing and Materials



Dimensions of Transportation Box (mm)

Width	Length	Height
256 5	223 5	62 5
256 5	223 5	124 5

