



/

-  
-  
-  
-

o

-  
-  
-  
-

o



---

/

---

-

---



\_\_\_\_\_

---

/

---

/

/

/

/

/

/

/

= 25 ; l

---

/

/

o

/

/

/

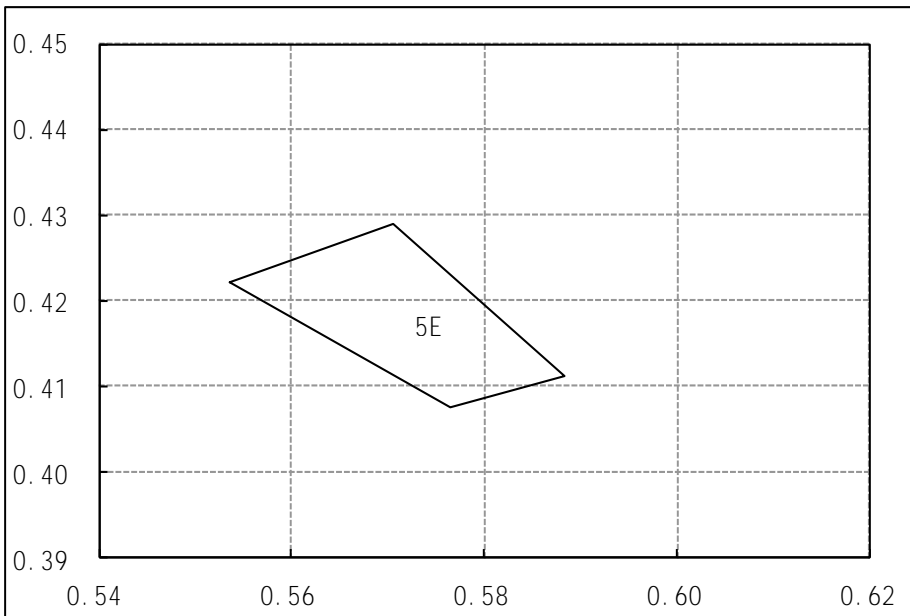
/

/

/ = 25 ; l

/ = 25 ; l

/ = 25 ; l

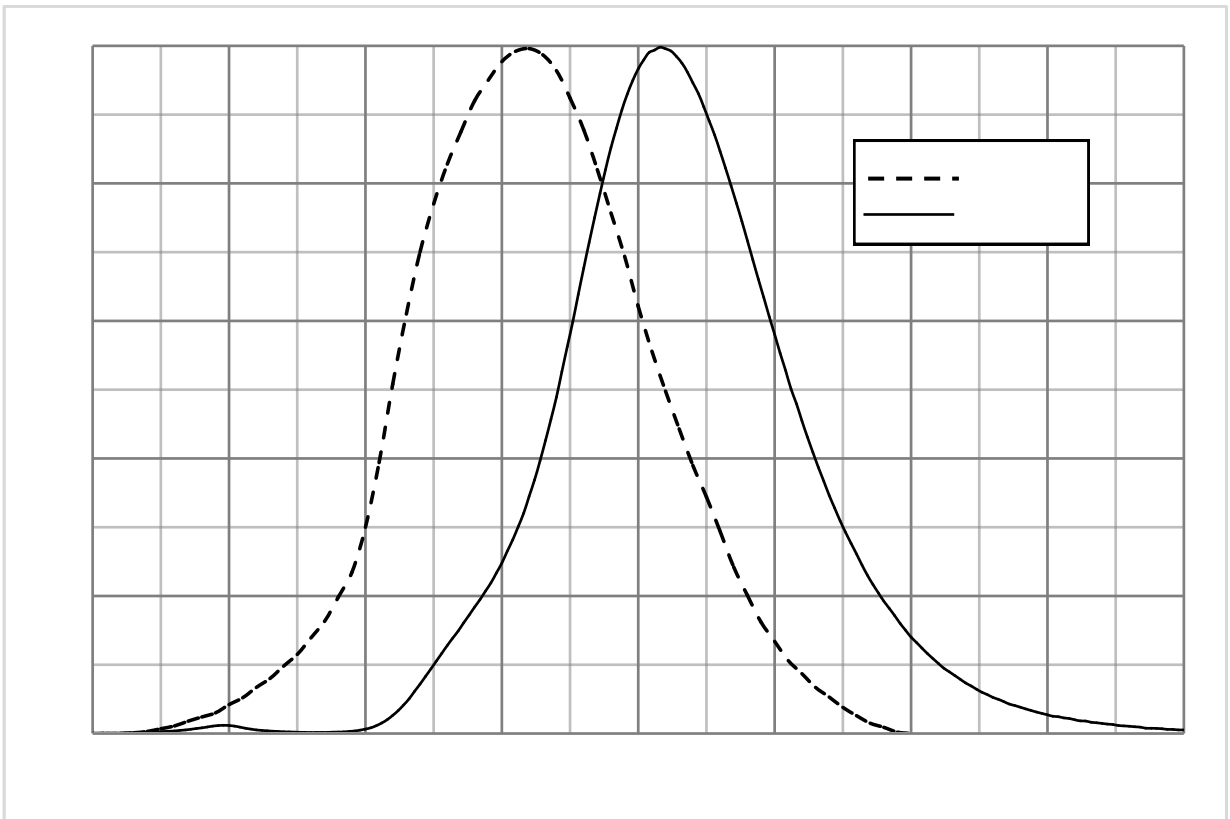


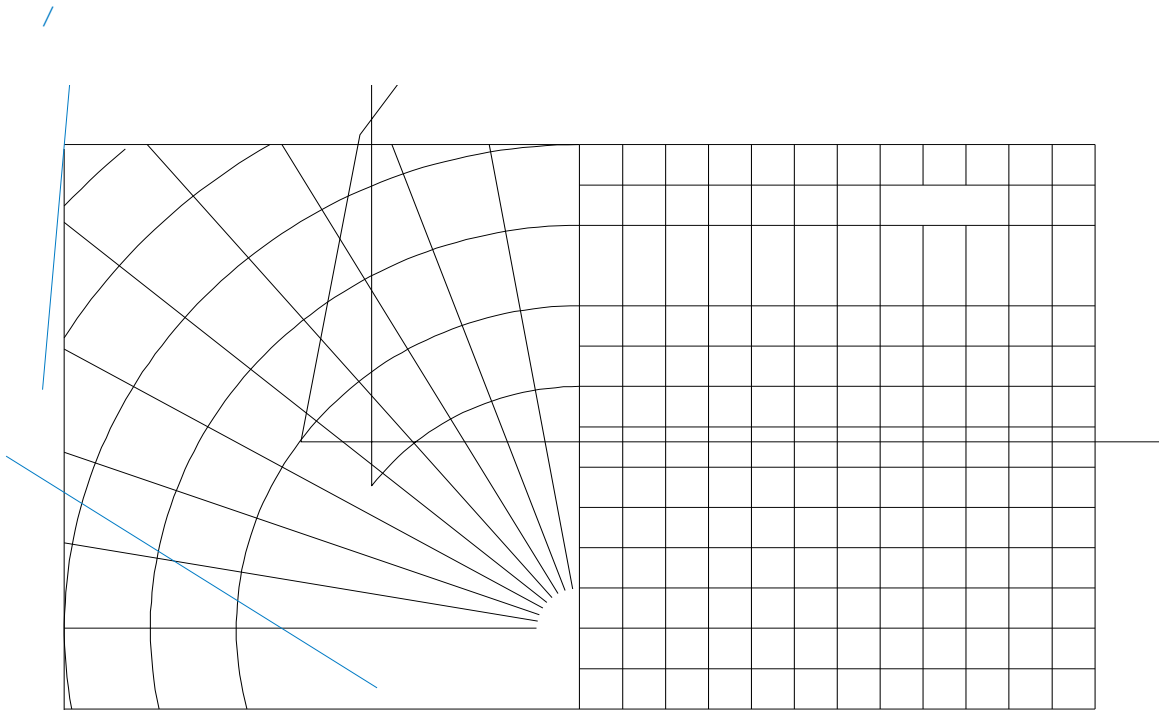
5E	
X	Y
0.5536	0.4221
0.5705	0.4289
0.5764	0.4075
0.5883	0.4111

/

/

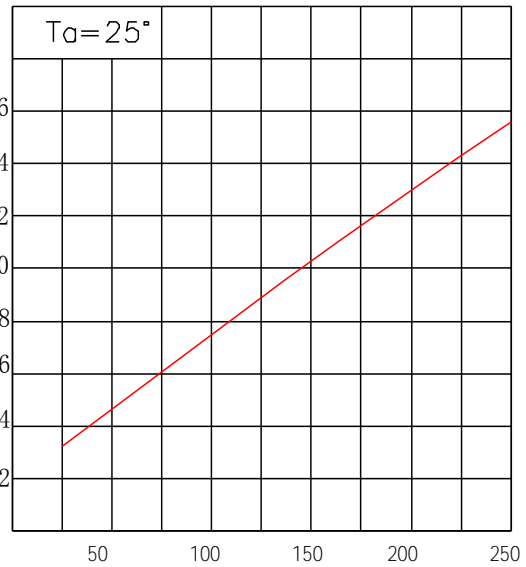
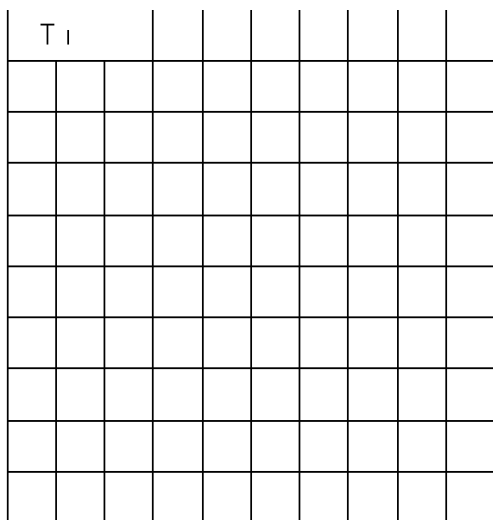
= 25 ; l



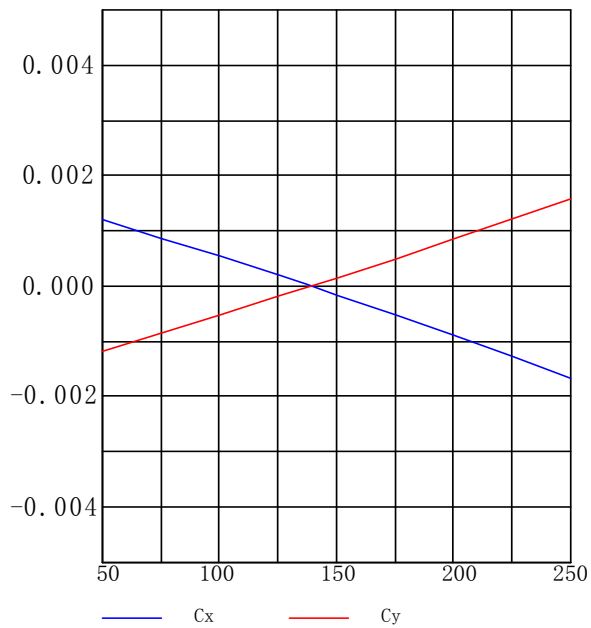


/  
= 25

/  
= 25

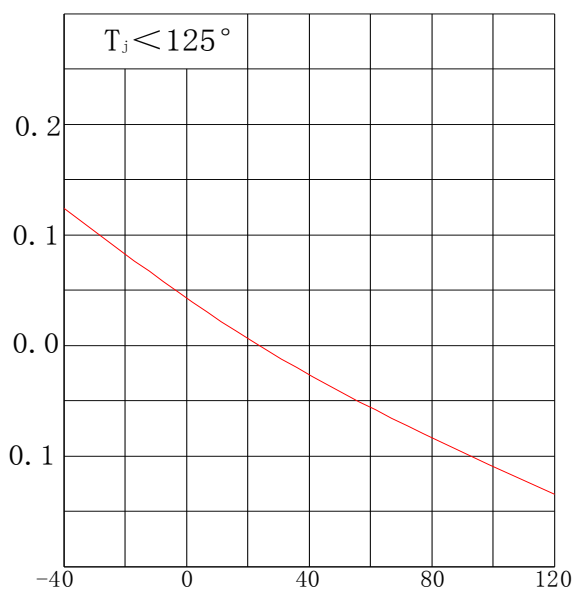


/



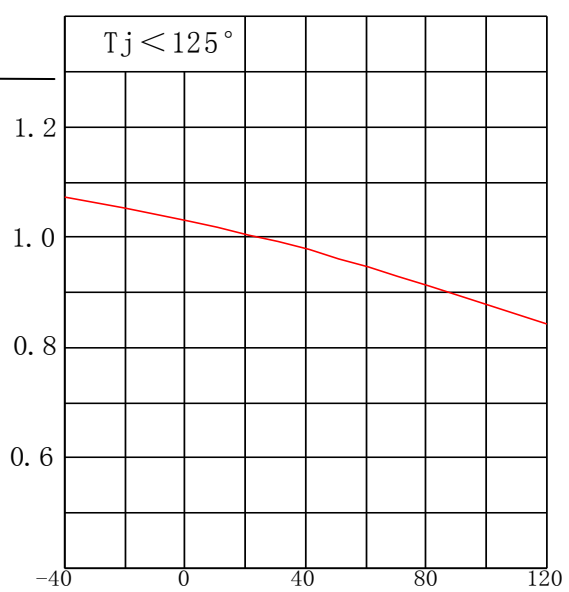
/

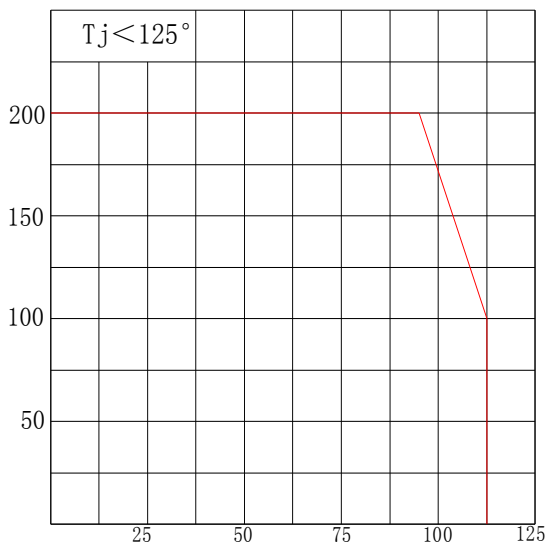
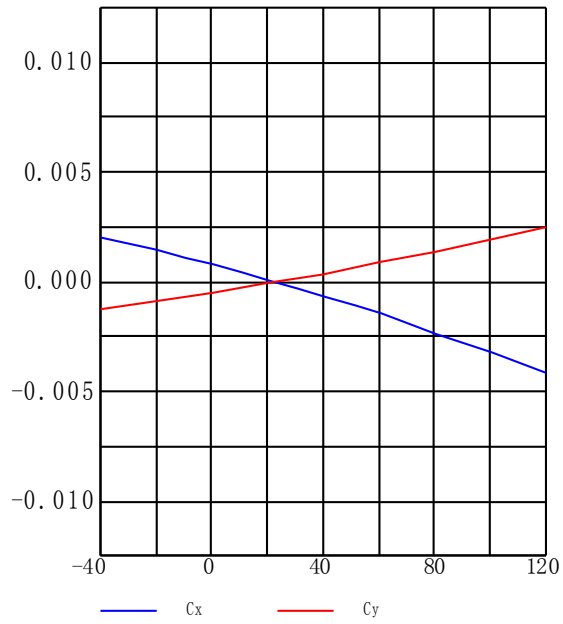
$$(25) = f(T)$$



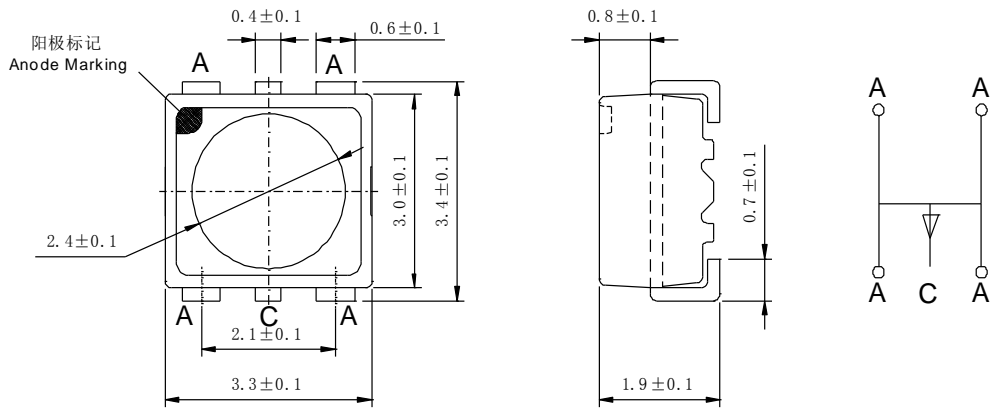
/

$$(25) = f(T)$$





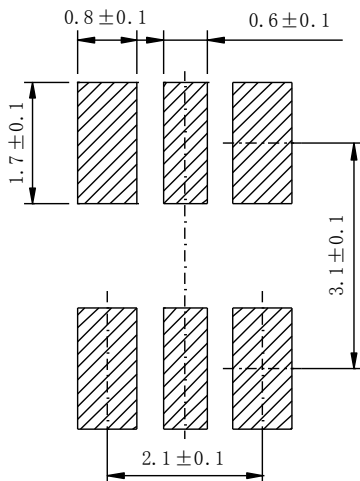


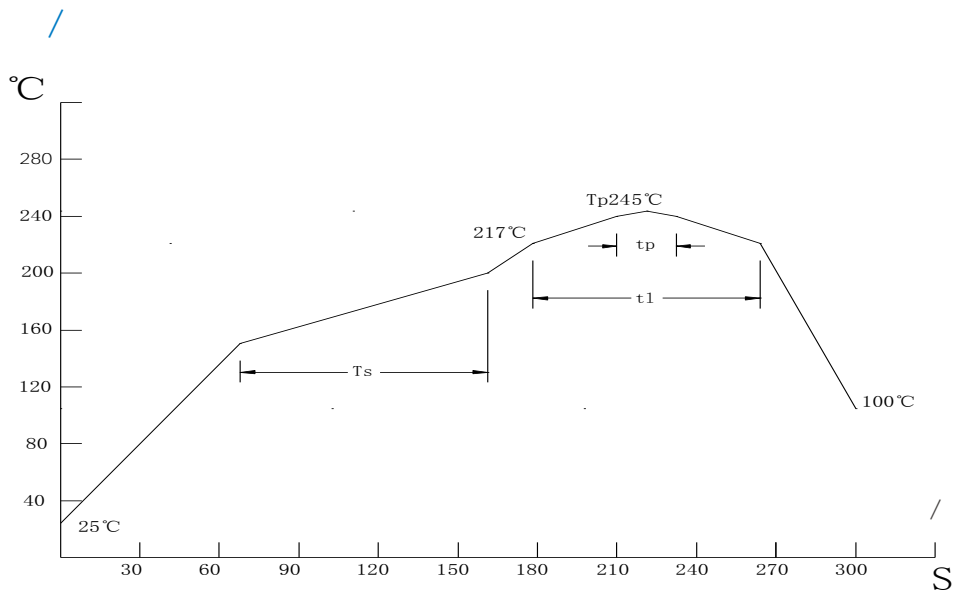


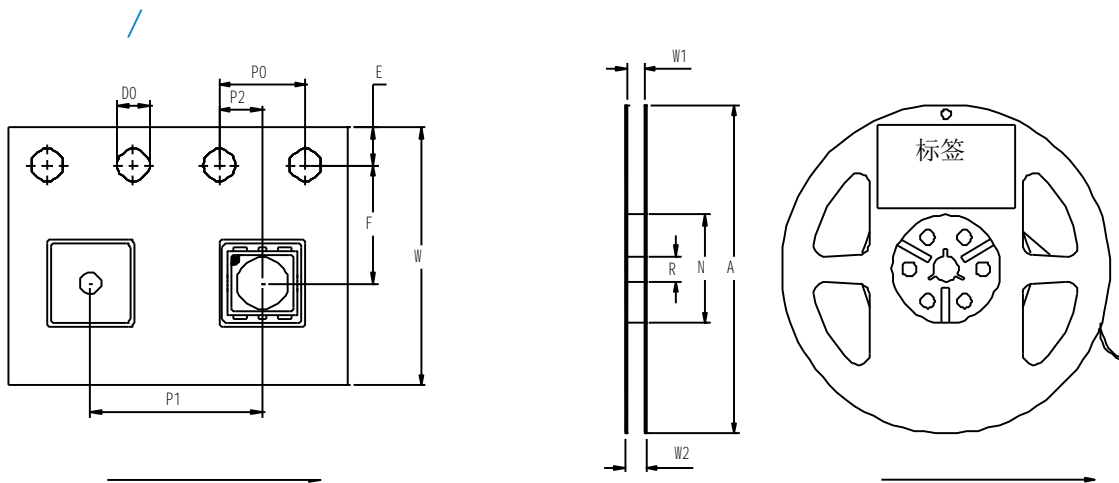
40 /90% R.H, 15ppm ( )  
 : 25 /75 % R.H, 500  
 ( ) 4

40 /90% R.H

mixed gas test: 25 /75 % R.H, 500hours



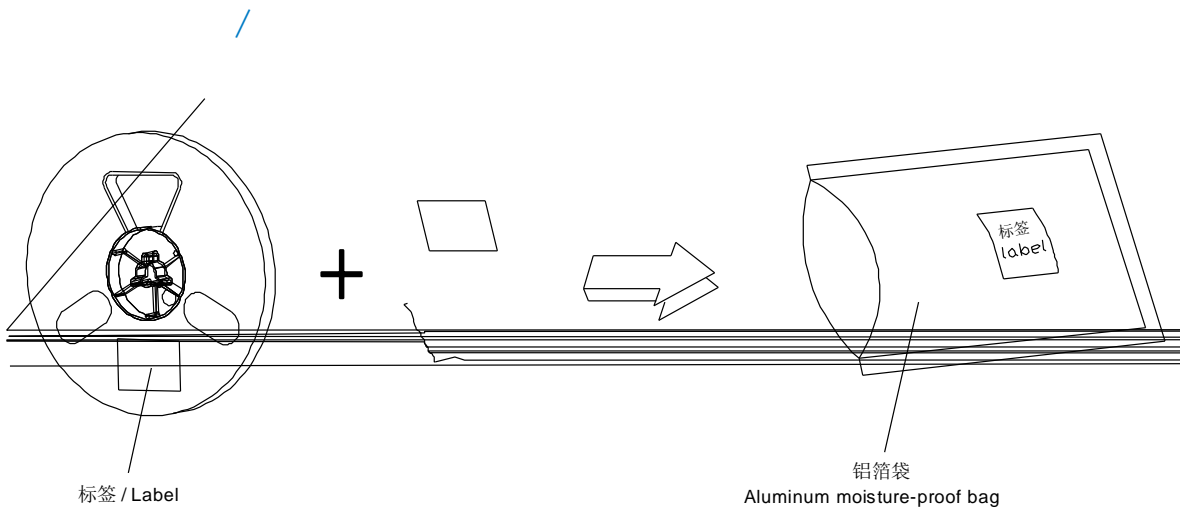


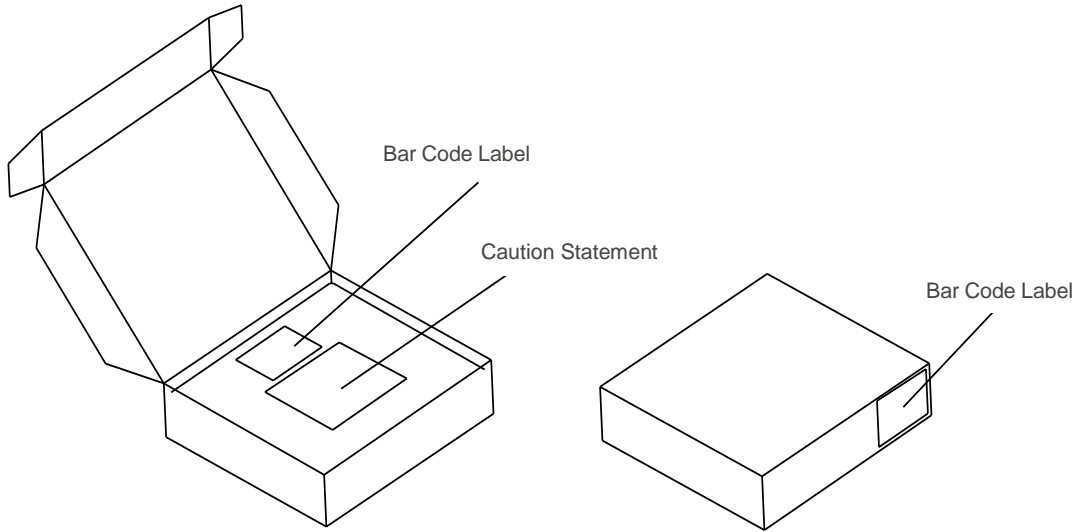


: :

± ± ± ± ± ± ±

± ± ± ±





/

/

/

±  
±

±  
±

±  
±

---

$\pm 0.1 \text{ mm}$

$\pm$

$\pm$

$\pm$

$\pm$

$\pm$

$\pm$

with an internal reproducibility of  $\pm 0.05 \text{ V}$  and an expanded uncertainty of  $\pm 0.1 \text{ V}$  (acc. to

pulse of typically  $25 \text{ ms}$ , with an internal reproducibility of  $\pm 0.005$  and an expanded uncertainty of  $\pm 0.01$  (acc. to GUM with a coverage factor of  $k = 3$ ).

with an internal reproducibility of  $\pm 8\%$  and an expanded uncertainty of  $\pm 11\%$  (acc. to GUM