



RoHS

Specification

规格书

Customer Name : _____

客户名称 :

Customer P/N : _____

客户品号 :

Factory P/N : **HL-A-3014H421W-S1-08-HR3**

公司品号 :

Sending Date : _____

送样日期 :

Client approval 客户审核			Hongli approval 鸿利光电审核		
Approval 核准	Audit 确认	Confirmation 制作	Approval 核准	Audit 确认	Confirmation 制作
			林德顺		黄雪梅
<input type="checkbox"/> Qualified 接受		<input type="checkbox"/> Disqualified 不接受		DATE: 日期:	

Adr : Airport High-tech Industry Base Jingu South Road(XianKe 1st Road Intersection),
Huadu District,Guangzhou,China

Tel/电话 : 020-86733333

Fax/传真 : 020-86733883 86733938 86733265

Web/网址 : www.honglitronic.com

: 1.
2.
3.



HL-A-3014H421W-S1-08-HR3

Description ()

The White LED which was fabricated using a blue chip and the phosphor
LED

Applications ()

- Optical indicator ()
- Indoor display ()
- Automotive lighting ()

Package Dimensions ()

Notes: ()

1. All dimension units are millimeters. ()
2. All dimension tolerance is $\pm 0.15\text{mm}$ unless otherwise noted. ($\pm 0.15\text{mm}$)

HL-A-3014H421W-S1-08-HR3

Selection Guide ()

Part No. 型号	Chip Materials 芯片材料	Lens Type 胶体类型
HL-A-3014H421W-S1-08-HR3	InGaN	Yellow Diffused

Mass Production list ()

Part No. 型号	CCT (K)	CCT (K)	CCT (K)	Φ (lm)	Φ (lm)	Test Conditions 测试条件
	Min	Typ	Max	Min	Typ	
HL-A-3014H421W-S1-08-HR3	5700	6000	6500	12.0	12.5	IF=30mA
	4750	5000	5300	12.0	12.5	IF=30mA
	3800	4000	4250	12.0	12.5	IF=30mA
	2800	3000	3100	11.5	12.0	IF=30mA

Electrical / Optical Characteristics at Ta=25°C 电性与光学特性

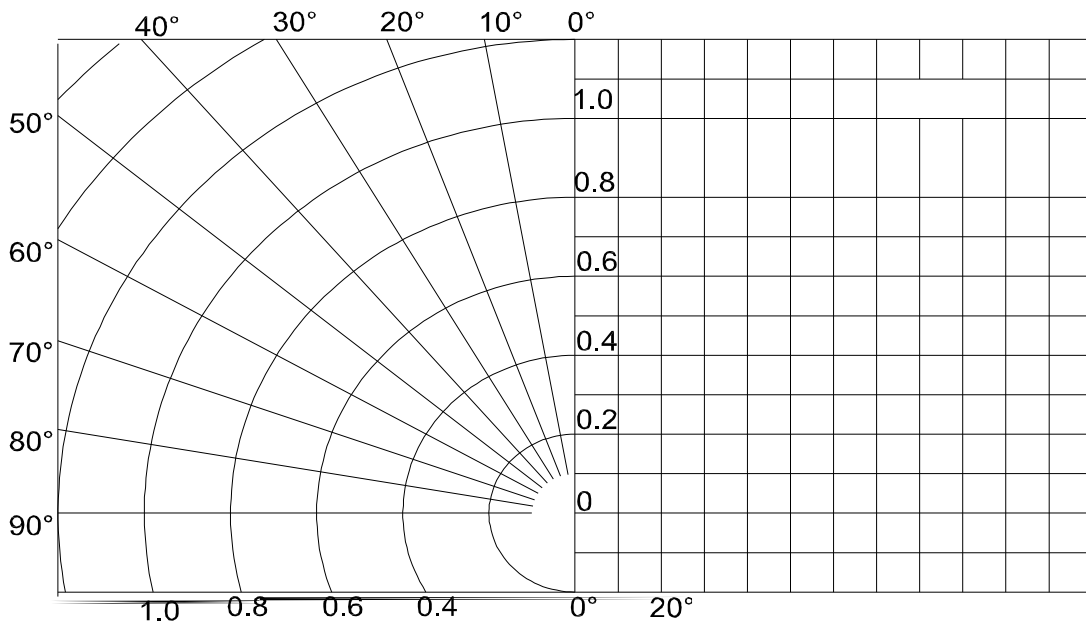
Parameter (参数)	Symbol (符号)	Min. (最小)	Typ. (平均)	Max. (最大)	Units (单位)	Test Conditions 测试条件
Forward Voltage 正向电压	VF	2.6	--	3.2	V	IF=30mA
Viewing Angle 角度	2θ1/2	--	120	--	Deg	IF=30mA
Color Rendering Index 显色性指数	Ra	80	--	--		IF=30mA
Reverse Current 反向电流	IR	--	--	10	μA	VR = 5V

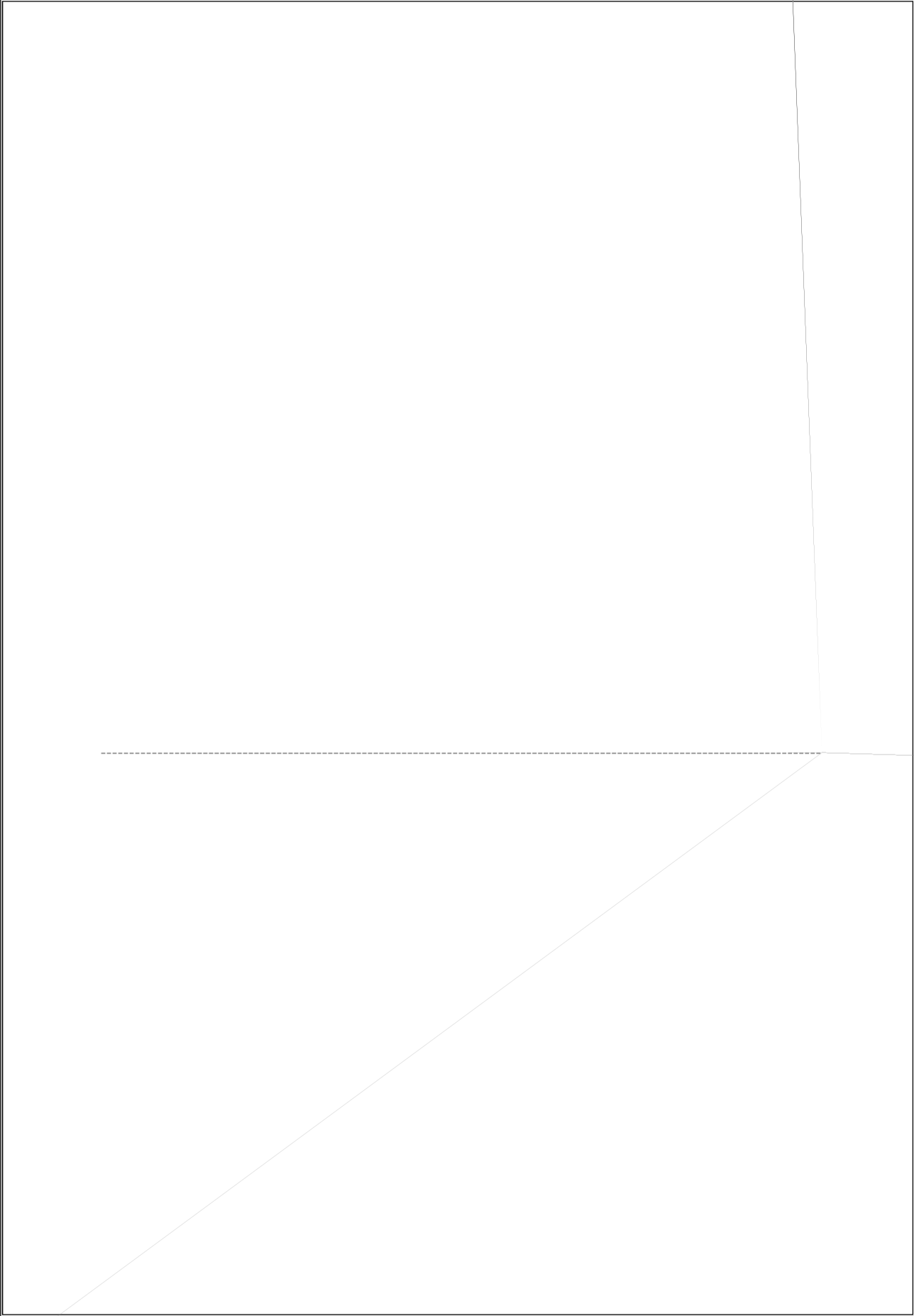
Note:(备注)

- 2θ1/2 is the angle from optical centerline where the luminous intensity is 1/2 the optical centerline value.
2θ1/2 是半值角,指光强是光学中 线光强的1/2处到光学中 线的角度
- The above luminous flux measurement allowance tolerance is ±10%.
上述发光通量的测试允许公差为±10%
- The above Color Rendering Index measurement allowance tolerance is ±2
以上显色性指数的测试允许公差为±2
- The above forward voltage measurement allowance tolerance is ±0.1V.
以上所示电压测量误差±0.1V
- The above color coordinates measurement allowance tolerance is ±0.003.
以上所示坐标测量误差±0.003



Parameter ()	Symbol ()	Rating ()	Units ()
Power Dissipation ()	Pd	120	mW
Forward Current ()	IF	40	mA
Peak Forward Current [1] ()	IFP	100	mA
Reverse Voltage ()	VR	5	V
Electrostatic Dischaf		■	





HL-A-3014H421W-S1-08-HR3

Bin Range of Chromaticity Coordinate Bin区分类及色坐标范围

CCT 色温	Bin Code Bin代码	CIE_x	CIE_y	Bin Code Bin代码	CIE_x	CIE_y	
6000K	C32 6000-6500K	0.3205	0.3481	C42 5700-6000K	0.3211	0.3468	
		0.3117	0.3393		0.3294	0.3542	
		0.3131	0.329		0.3296	0.3429	
		0.3213	0.3371		0.3219	0.3360	
		0.3213	0.3371		0.3219	0.3360	
	C33 6000-6500K	0.3131	0.329	C43 5700-6000K	0.3296	0.3429	
		0.3150	0.3190		0.3298	0.3315	
		0.3226	0.3262		0.3227	0.3251	
		0.3376	0.3616		0.3461	0.3685	
		0.3461	0.3685		0.3545	0.3754	
5000K	C62 5000-5300K	0.3451	0.3561	N12 4750-5000K	0.3530	0.3625	
		0.3372	0.3497		0.3451	0.3561	
		0.3372	0.3497		0.3451	0.3561	
		0.3451	0.3561		0.3530	0.3625	
		0.3441	0.3437		0.3514	0.3496	
	C63 5000-5300K	0.3368	0.3378	N13 4750-5000K	0.3441	0.3437	
		0.3731	0.3853		N52 3800-4000K	0.3839	0.3920
		0.3839	0.3920			0.3947	0.3987
		0.3803	0.3777			0.3903	0.3839
		0.3703	0.3716			0.3803	0.3777
0.3703	0.3716	0.3803	0.3777				
4000K	N42 4000-4250K	0.3803	0.3777	N53 3800-4000K	0.3903	0.3839	
		0.3767	0.3634		0.3858	0.3690	
		0.3675	0.3578		0.3767	0.3634	



HL-A-3014H421W-S1-08-

CCT 色温	Bin Code	Bin代码	CIE_x	CIE_y	Bin Code	Bin代码	CIE_x	CIE_y
3000K	W42	3000-3100K	0. 4354	0. 4142	W43	3000-3100K	0. 4316	0. 4059
			0. 4430	0. 4165			0. 4390	0. 4082
			0. 4390	0. 4082			0. 4350	0. 3998
			0. 4316	0. 4059			0. 4279	0. 3975
			0. 4279	0. 3975			0. 4430	0. 4165
			0. 4350	0. 3998			0. 4505	0. 4189
	W44	3000-3100K	0. 4310	0. 3915	W52	2900-3000K	0. 4463	0. 4106
			0. 4241	0. 3892			0. 4390	0. 4082
			0. 4390	0. 4082			0. 4350	0. 3998
			0. 4463	0. 4106			0. 4420	0. 4022
			0. 4420	0. 4022			0. 4378	0. 3939
			0. 4350	0. 3998			0. 4310	0. 3915
	W62	2800-2900K	0. 4505	0. 4189	W63	2800-2900K	0. 4463	0. 4106
			0. 4581	0. 4212			0. 4536	0. 4129
			0. 4536	0. 4129			0. 4492	0. 4045
			0. 4463	0. 4106			0. 4420	0. 4022
			0. 4420	0. 4022				
			0. 4492	0. 4045				
	W64	2800-2900K	0. 4447	0. 3962				
			0. 4378	0. 3939				



HL-A-3014H421W-S1-08-HR3

Reliability Test Items And Conditions

Test Items	Ref. Standard	Test Condition	Time	Quantity	Ac/Re /
Reflow	JESD22-B106	Temp:260 max T=10 sec	3 times.	22Pcs.	0/1
Temperature Cycle	JESD22-A104	100 ±5 30 min. ↑↓5 min -40 ±5 30 min.	100 Cycles	22Pcs.	0/1
High Temperature Storage	JESD22-A103	Temp:100 ±5	1000Hrs.	22Pcs.	0/1
Low Temperature Storage	JESD22-A119	Temp:-40 ±5	1000Hrs.	22Pcs.	0/1
Life Test	JESD22-A108	Ta=25 ±5 IF=30mA	1000Hrs.	22Pcs.	0/1
High Temperature High Humidity Life Test	JESD22-A101	85 ±5 / 85%RH IF=20mA	1000Hrs.	22Pcs.	0/1

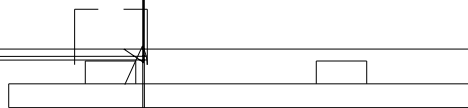
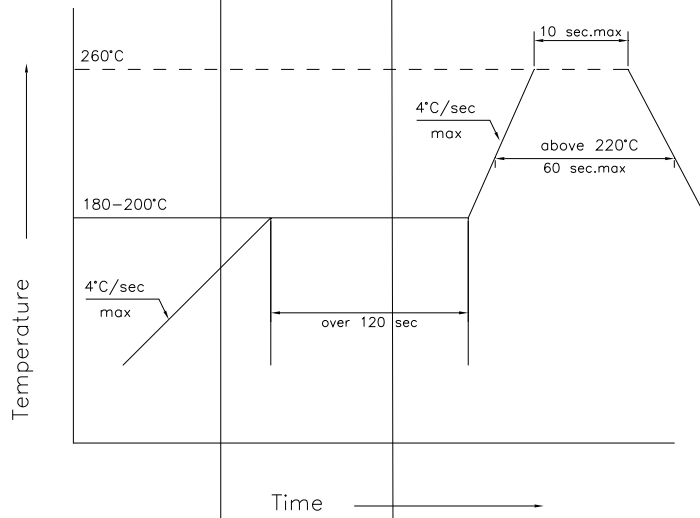
Failure Criteria 失效判定标准

Test Items	Symbol	Test Condition	Failure Criteria 判定标准	
			Min.	Max.
Forward Voltage	VF	IF=30mA	--	U.S.L*)x1.1
Reverse Current	IR	VR = 5V	--	10uA
Luminous Flux	Im	IF=30mA	L.S.L*)x0.7	--

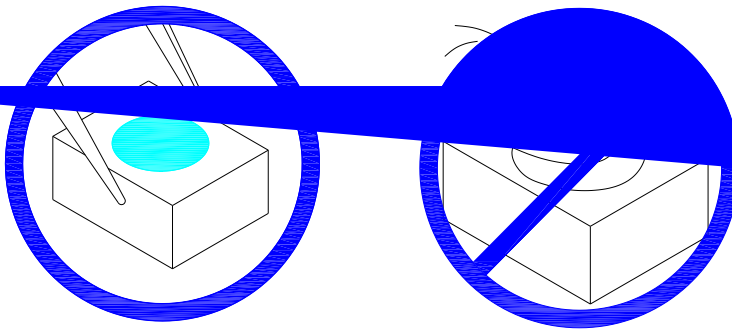
U.S.L: Upper Specification Limit 规格上限

L.S.L: Lower Specification Limit 规格下限

*The technical information shown in the data sheets are limited to the typical characteristics and circuit examples of the referenced products. It does not constitute the warranting of industrial property nor the granting of any license.



1. Handle the component along the side surface by using forceps or appropriate tools; do not directly touch or Handle the silicone lens surface, it may damage the internal circuitry.



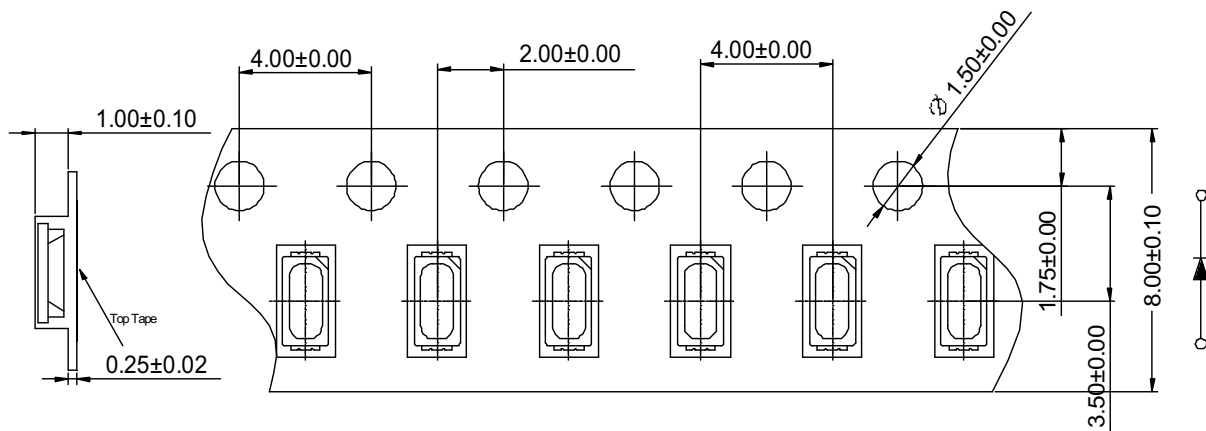
HL-A-3014H421W-S1-08-HR3

Label

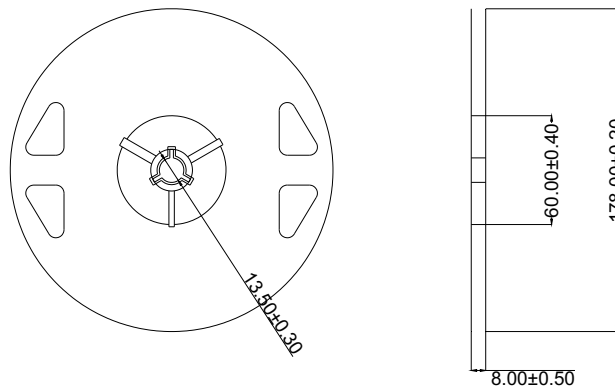
IV: Luminous intensity rank 亮度等级
 VF: Forward voltage rank 电压等级
 X/Y: Coordinate rank 色坐标
 TC: Color temperature 色温



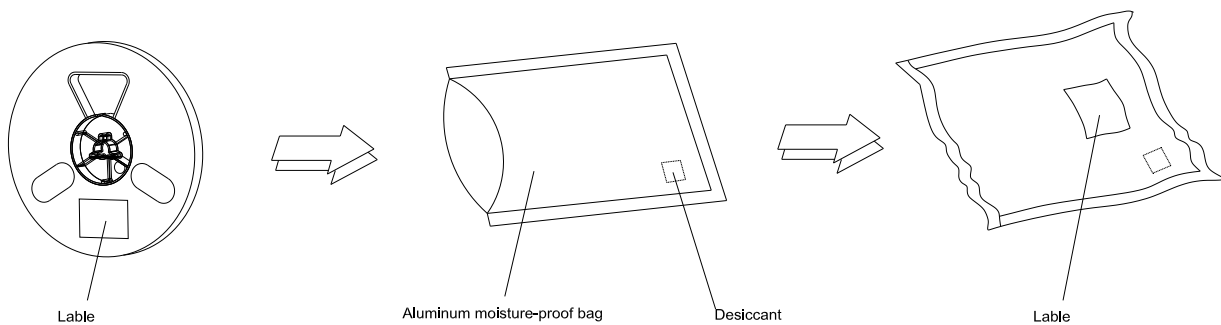
Tape Specifications (Units : mm)



Reel Dimensions



Moisture Resistant Packaging



Note: The tolerances unless mentioned is $\pm 0.1\text{mm}$, Unit: mm 注: 标注公差为 $\pm 0.1\text{mm}$, 单位: mm